

Product Information

S7-Compact-PLC CC300V



(valid from version CC300V-xxx-**03**)

Description

Compact-PLC for 35mm DIN-rail

- CC300V

Standard configuration:

- **RS232 with**
 - free ASCII-protocol
- **RS485 with**
 - free ASCII-protocol
 - Modbus RTU
 - with switchable terminate resistors for RS485
- **Ethernet with**
 - RFC1006,
 - Send/ Receive via TCP and UDP,
 - Modbus TCP
- **CAN with**
 - protocol compatible to CANopen®
 - layer2-communication
 - with switchable terminate resistors for CAN

- **Micro-SD-slot**
 - for SD-cards up to 2GByte

Run/Stop-switch

- **Status LEDs** for Power, Battery, Error, Run

- **Inserting stripes** for Logo and identification (thereby customized adaption possible easy)

optional configuration:

- (optional)
- **Profibus DP-Master**
- **Profibus DP-Slave**
- with switchable terminate resistors for Profibus

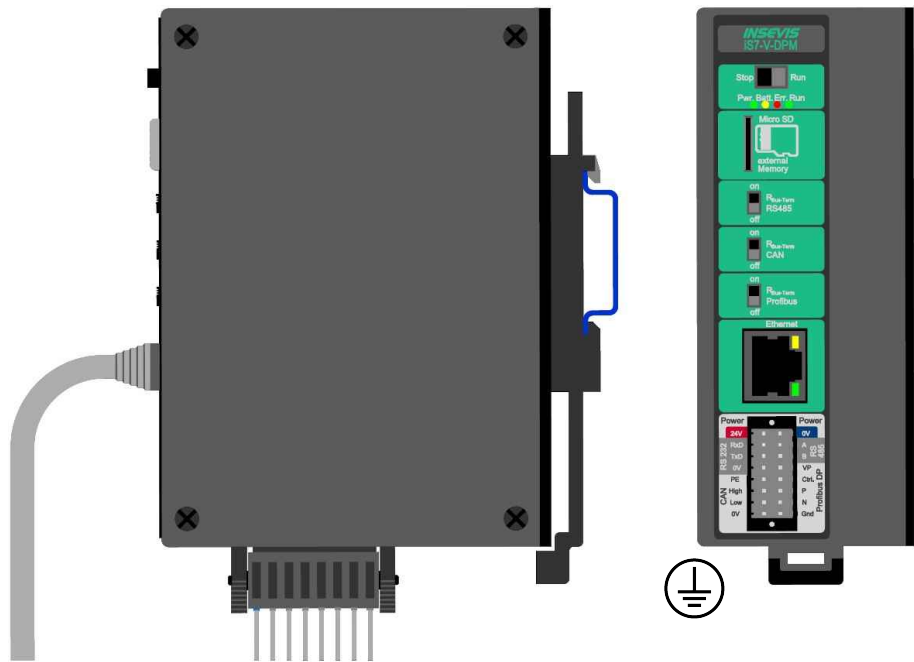


Figure above: Compact-PLC CC300V rear view and view from the side

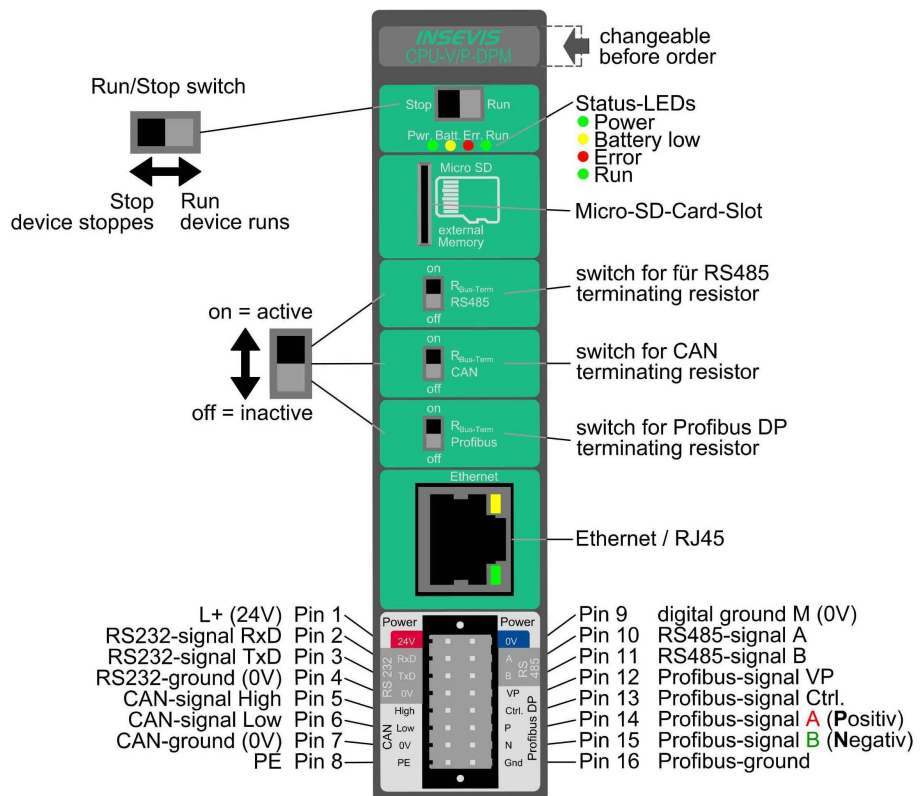


Figure above: Identification of all CPUs of all Compact-PLCs basic devices with CPU ValueLine or PowerLine and with Profibus DP Master

Technical data	CC300V
Dimensions W x H x D (mm) Weight	47 x 116 x 84 ca. 700g
Mounting IP-protection class	to clip on a 35mm DIN-rail IP41
Operating temperature range Storage temperature range	-20°C ... +60°C (without condensation) -30°C ... +80°C
Connection technology	unlockable connector with self-lock and 2 lift-arms (cage clamp technology) for cross section up to max. 1mm ²
Current consumption Power dissipation	20 mA ... 175 mA 0,5 W (typ.), 2 W (max.)
Start-up current	< 3A
Working memory = battery backed load memory Diagnostic buffer	512kB, thereof 256 kByte remanent data 100 messages (all remanent)
Internal flash memory External flash memory	4 MByte Micro SD, up to max. 8 GByte (not necessary for operation)
OB, FC, FB, DB Lokal data Number of inputs and outputs Process image Number of Merkerbytes Number of Taktmerker Number of timer, counter Depth of nesting	each 1.024 32kByte (2kByte per block) in each case 2.048 Byte (16.384 Bit) adressable in each case 2.048 Byte (default set is 128 Byte) 2.048 (remanence adjustable, default set is 0..15) 8 (1 Merkerbyte) in each case 256 (each remanence adjustable einstellbar, default set is 0) up to 16 code blocks
Real-time clock elapsed hour counter	yes (accumulator-backed hardware clock) 1 (32Bit, resolution 1h)
Program language Program system	STEP 7® - AWL, KOP, FUP, S7-SCL, S7-Graph from Siemens SIMATIC® Manager from Siemens or products compatible to it
Operating system Program unit to reference	compatible to S7-300® from Siemens CPU 315-2DP/PN (6ES7 315-2EH14-0AB0 with Firmware V3.1) from Siemens
Seriell interfaces (protocols)	COM1: RS 232 (free ASCII) COM2: RS 485 (free ASCII, Modbus-RTU)
Ethernet (protocols)	Ethernet: 10/100 Mbit with CP343 functionality (RFC1006, TCP, UDP, Modbus-TCP)
CAN (protocols)	CAN-Telegramms (Layer 2), compatible to CANopen® MasterSlave 10 kBaud ... 1 MBaud
Profibus (protocols)	Profibus DP V0 master/ slave 9,6kBaud ... 12 MBaud
Onboard-periphery	none
Decentral periphery	- INSEVIS- Periphery (with automatic configuration via „ConfigStage“) - diverse external periphery families (Modbus RTU/TCP, CAN) - all CANopen® slaves according to DS401 - all Profibus DP-V0-slaves

Documentation and samples



web: www.insevis.com
 register: Products / Compact-PLC
 download: TI-CC xxxx.pdf
 register: Documentation
 download: Manual Compact-PLC.pdf



web: www.insevis.com
 register: Service
 Compact-PLC

It will be provided documented samples for all functions to be downloaded free of charge.

Ordering data devices

Identification	basic version	with Profibus DP Master	with Profibus DP Slave
S7-Compact-PLC CC300V (ValueLine CPU)	CC300V-0-03	CC300V-DPM-03	CC300V-DPS-03

Ordering data accessoires

Product identification	Order-no.	Product identification	Order-no.
Connector 2x8pin (for PLC)	E-CON16-00	Profibus-adapter for 12MBaud-nets	E-AD-DP12
3D-doming label with custom logo for front side (PU 100 pcs.)	E-LAB3D-OEM	Inserting stripe H for logo and identification for rear side (PU 100pcs.)	E-LABH-OEM
Micro-SD card 1GB (external memory)	E-MSD1-00	Micro-SD card 4GB (external memory)	E-MSD4-00
Micro-SD card 2GB (external memory)	E-MSD2-00	Micro-SD card 8GB (external memory)	E-MSD8-00

Copyright

This and all other documentation and software, supplied or hosted on INSEVIS web sites to download are copyrighted. Any duplicating of these data in any way without express approval by INSEVIS GmbH is not permitted.
 All property and copy rights of these documentation and software and every copy of it are reserved to INSEVIS GmbH.

Trade Marks

INSEVIS refers that all trade marks of particular companies used in own documentation as e.g.
 - STEP®, SIMATIC® and other as reserved trade mark of SIEMENS AG.
 - CANopen® and other as reserved trade mark of CAN in Automation eG
 and more reserved trade marks are property of the particular owners and are subjected to common protection of trade marks.

Disclaimer

All technical details in this documentation were created by INSEVIS with highest diligence. Anyhow mistakes could not be excluded, so no responsibility is taken by INSEVIS for the complete correctness of this information. This documentation will reviewed regularly and necessary corrections will be done in next version.

With publication of this catalog all other versions are no longer valid.